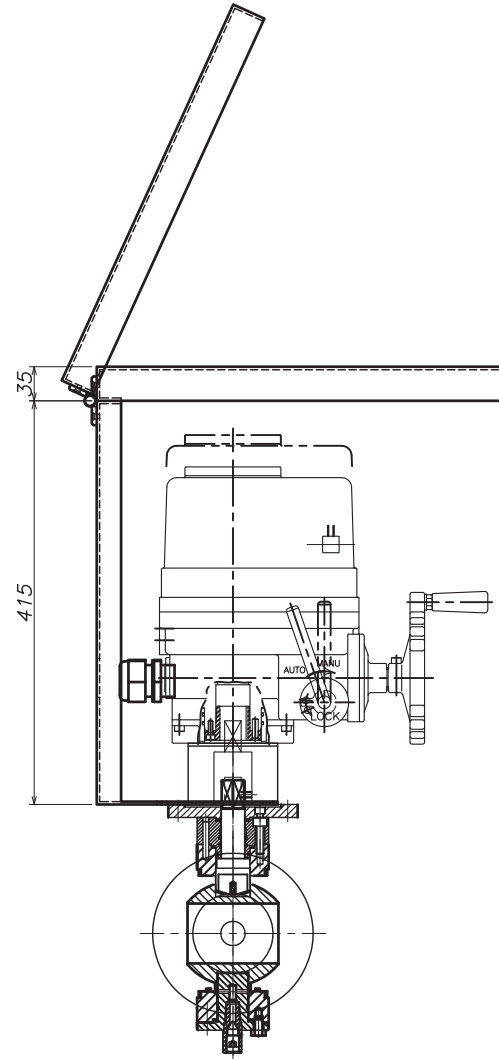
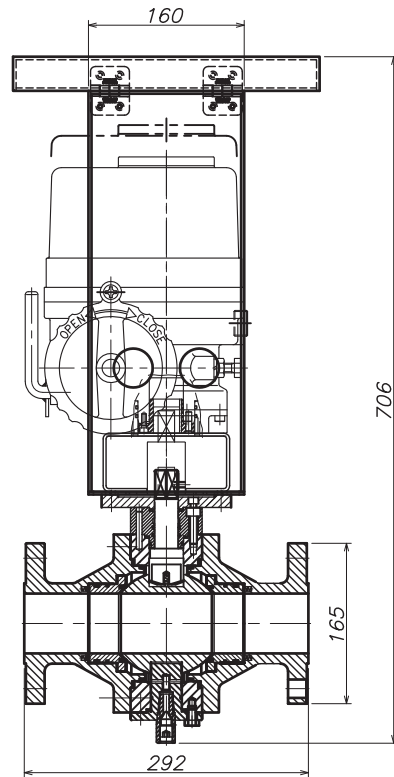
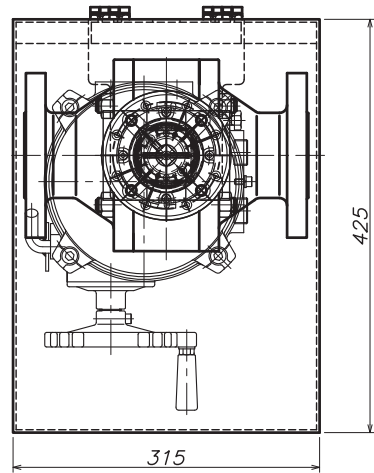


ELECTRIC ACTUATOR
ITQ0240
+
2" BALL VALVE
ASSEMBLY DRAWING
C/W SUNSHADE



CLASS OF FINISH		GENERAL TOL. (IT7 (AS B) (AT1))			SCALE	MATERIAL	SURFACE	PROJECT
▽	~	COVER 0.5	UNCER 6	±0.12	NS			
▽	(▽)	50 S	6	30	Qty 1	DRAWING DATE 2018-10-31	WEIGHT - Kg	TITLE ITQ0240 + 2" Ball Valve Assembly Drawing
▽	(▽)	125 S	30	120				
▽	(▽)	3.2 S	120	315	DESIGNED YG.KIM	APPROVED YG.KIM	MATERIAL AHF Valves (Australia) Pty. Ltd	DRAWING NO AHF-181031ASS-01
▽	(▽)	0.8 S	315	1000				
▽	(▽)	0.8 S GRINDING	1000	2000	±1.50			
KS B (ISO 2768-F ???)		0.02 2000			±1.75			